



# Land Cruiser 76

GRADE	SFX	Body type	Engine	ccm	Power (HP/kW)	Torque (Nm)	Transmission	Consumption
STANDARD 4x4	E1	Station Wagon	4.2 DIESEL	4164	131/96	285	5 M/T	8L/100KM

EXTRAS	STANDARD
<b>Metallic paint:</b> ● = Standard   ○ = Option   – = Not available 5 M/T = 5 speed manual transmission	○

### STANDARD GRADE

#### Interior:

- Air conditioner (manual)
- Radio AM/FM, MP3, CD
- 2 speakers
- Auxiliary input USB
- Front bench seat
- Glovebox with key
- Front heating system
- Rubber floor mats (front and rear)
- 10 seats (3 front, 3 rear, 2x2 parallel in the back)
- Urethane steering wheel
- Tilt and telescopic power steering column
- Vinyl leather seat material
- Clock
- Cup holder

#### Exterior:

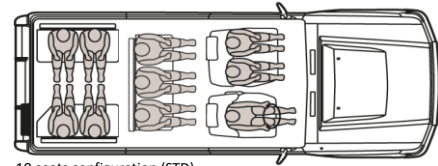
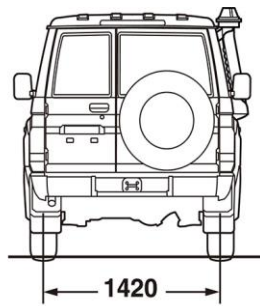
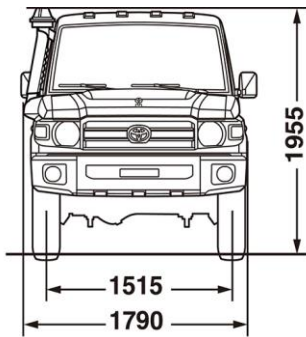
- Mud guards (front and rear)
- Black rear bumper
- Spare wheel carrier with lock
- Front and rear towing hooks
- Air cleaner with cyclone and snorkel
- Manual antenna
- Rear window wiper
- Black front grille
- Side steps and rear step (aluminium)

#### Safety:

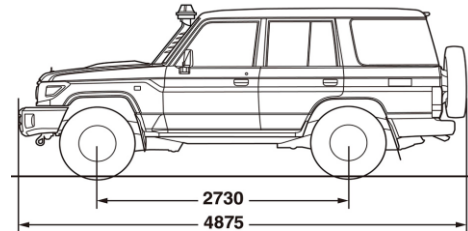
- ABS - Anti-lock Braking System
- Driver & passenger airbags (SRS)

#### Technical:

- Suspension with coil leaf spring
- Rear Limited Slip Differential (LSD)
- 4WD system
- Steel wheels
- Tyre dimensions 7.50 R16-8 (E)
- High altitude compensator
- Fuel tank capacity 130L
- Cylinders: 6 in line
- Overall width: 1.770 mm
- Overall length: 4.720 mm
- Overall height: 1.955 mm
- Min. ground clearance: 230 mm
- Min. turning radius (tyre): 6.3 m
- Min. turning radius (body): 6.6 m



10 seats configuration (STD)



### CONTACT US:

**TOYOTA PUGU BRANCH**  
 No.5 Nyerere Road  
 P.O.Box 9060, DSM,  
 Tel: +255 22 2866352  
 Fax: +255 222866814

**TOYOTA SOKOINE BRANCH**  
 Sokoine Drive  
 P.O.Box 9060, DSM  
 Tel: +255 22 2118990-1  
 Fax: +255 222866814

**TOYOTA ARUSHA BRANCH**  
 Goliñdoi Road  
 P.O.Box 194, Arusha  
 Tel: +255 27 2544092  
 Fax: +255 27 254846

**TOYOTA TANGA BRANCH**  
 Bombo Hospital Road  
 P.O.Box 109, Tanga,  
 Tel: +255 27 2644668  
 Tel: +255 27 2644669

Website: <http://www.toyotatz.com>  
 E-mail: [Sales@toyotatz.com](mailto:Sales@toyotatz.com)



Warranty is valid up to 3 years or 100,000 km, whichever comes first. We reserve the right to alter any details of specifications and equipment without notice. No guarantee is given regarding the accuracy of information within this document. Vehicle body, specifications and trim colours might differ slightly from the data within this document. Please check model availability and full specification details with your Toyota dealer prior to ordering. We cannot accept contractual responsibility for your reliance on the information contained within this document.