



Specifications

Hino Motors, Ltd.
TOKYO, JAPAN

Specifications

TRUCK CHASSIS

MODEL	HINO GD1JLPA (4 X 2, Right-hand drive)
SPEC NO.	SA-GD359A
DRWG NO.	CDRGD358A

DIMENSIONS

Overall length (mm)	APPROX.	8,190
Overall width (mm)	APPROX.	2,245
Overall height (mm)	APPROX.	2,555
Wheelbase (mm)		4,850

MASS

Chassis mass, total (kg)	APPROX.	3,885 *
Chassis mass, front (kg)	APPROX.	2,290
Chassis mass, rear (kg)	APPROX.	1,595

* Including spare tire

PERFORMANCE (at G. V. M. Rating)

Max. speed (km/h)	113
Gradeability $\tan \theta$ (%)	38.5

CAPACITY

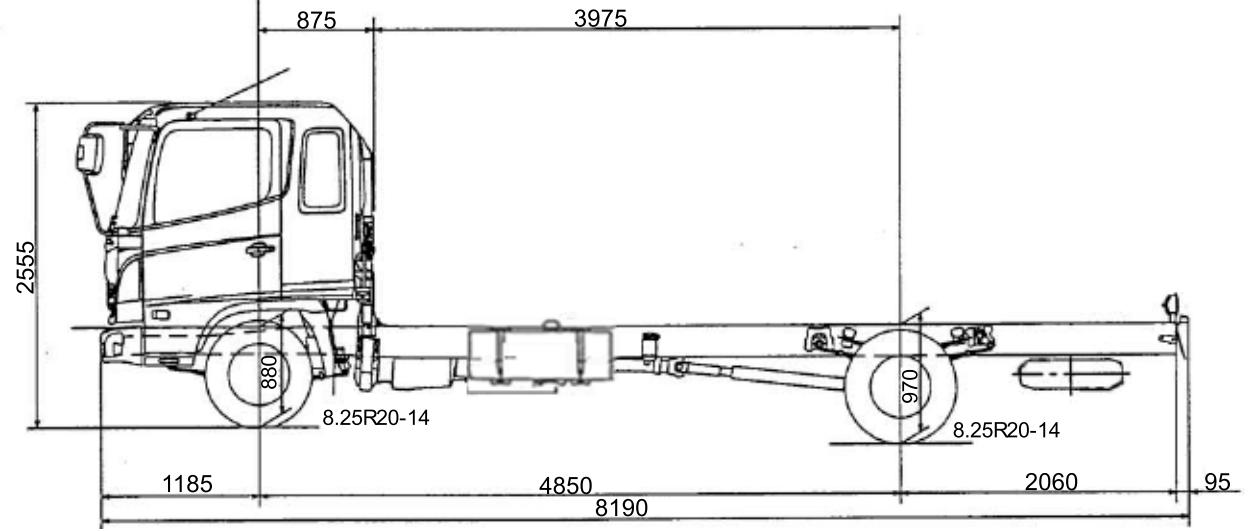
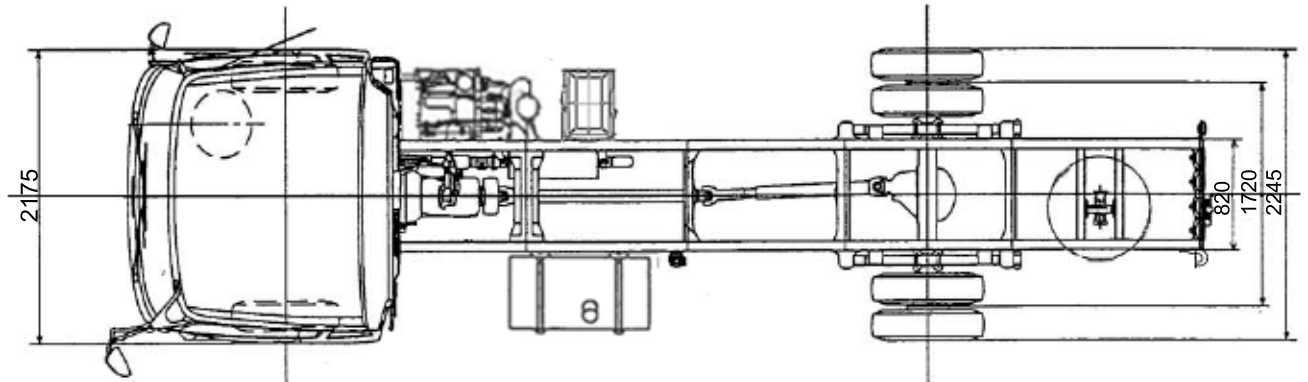
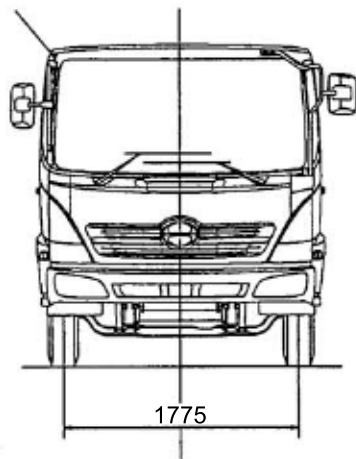
Unit:kg

	FRONT	REAR
Permissible axle capacity	4,500	8,500
Tire capacity	4,120	7,800
G. V. M. rating	11,900	

Specifications

SA-GD359A

ENGINE	HINO J08C-F (Euro-1) Diesel, 4-cy., vertical, 6-cyl. in-line, overhead camshaft, water-cooled, direct injection type.	
Max. output	JIS GROSS ; 155 kW {210 PS} at 2,900 r/min ISO NET ; 150 kW {204 PS} at 2,900 r/min	
Max. torque	JIS GROSS ; 554 N·m {56.5 kgf·m} at 1,500 r/min ISO NET ; 546 N·m {55.7 kgf·m} at 1,500 r/min	
Max. engine speed	3,100 r/min	
CLUTCH	Dry, single plate, with damper springs, hydraulic control	
TRANSMISSION	LJ06S, 6-speed, direct-drive, synchromesh 2nd-6th Gear ratio 1st 8.189 : 1 - 6th 1.000 : 1	
REAR AXLE	Full-floating, single reduction, single-speed by hypoid gearings Gear ratio 4.875 : 1	
FRONT AXLE	Reversed Elliot, "I" section beam	
SERVICE BRAKE	Air over hydraulic, dual circuit, two leading shoes for front and rear wheels	
PARKING BRAKE	Internal expanding, acting on transmission output shaft	
STEERING	Recirculating ball with hydraulic booster	
SUSPENSIONS	Front	Semi-elliptic leaf springs with shock absorbers
	Rear	Semi-elliptic main and auxiliary leaf springs
WHEELS AND TIRES	Wheels	8-stud disc wheel (JIS type)
	Tires	8.25R20-14-133/131 7-number (Including one spare tire)
FUEL TANK	200 L	
CHASSIS FRAME	Ladder-shaped, channel section side rails	
CAB	Forward control, all steel welded construction	
AIR CLEANER	Dual paper element, stack type air intake	
ELECTRICAL EQUIPMENT	Batteries	12 V × 2, series-connection 65 A·h {234 kC} at 20-hour rate
	Alternator	24 V - 50 A



MODEL

HINO GD1JLPA CHASSIS

DRAWING No.

CDRGD309L

REMARKS

- 1) The vehicle mass may be varied with optional equipments & items.
- 2) All Specifications of the products are with normal manufacturing allowance and tolerances.
- 3) Hino Motors,Ltd. reserves the right to alter this specification without notice.
- 4) For every 1,000 meters of altitude the engine performance and grade ability shall be decreased by approx. 10%.

Hino Motors,Ltd.

OVERSEAS PRODUCT DIVISION