



Specifications

Hino Motors, Ltd.

TOKYO, JAPAN

Specifications

TRUCK CHASSIS

MODEL	HINO WU720R-HKMQL3 (4 X 2, Right-hand drive)
SPEC NO.	SA-WU551A
DRWG NO.	CDRWU405G

DIMENSIONS

Overall length (mm)	APPROX.	6,740
Overall width (mm)	APPROX.	1,995
Overall height (mm)	APPROX.	2,240
Wheelbase (mm)		3,870

MASS

Chassis mass, total (kg)	APPROX.	2,630 *
Chassis mass, front (kg)	APPROX.	1,675
Chassis mass, rear (kg)	APPROX.	955

*: Including spare tire

PERFORMANCE (at G. V. M. Rating)

Max. speed (km/h)	112
Gradeability $\tan \theta$ (%)	40.6

CAPACITY

Unit:kg

	FRONT	REAR
Permissible axle capacity	3,100	5,100
Tire capacity	2,660	5,060
G. V. M. rating	6,500	

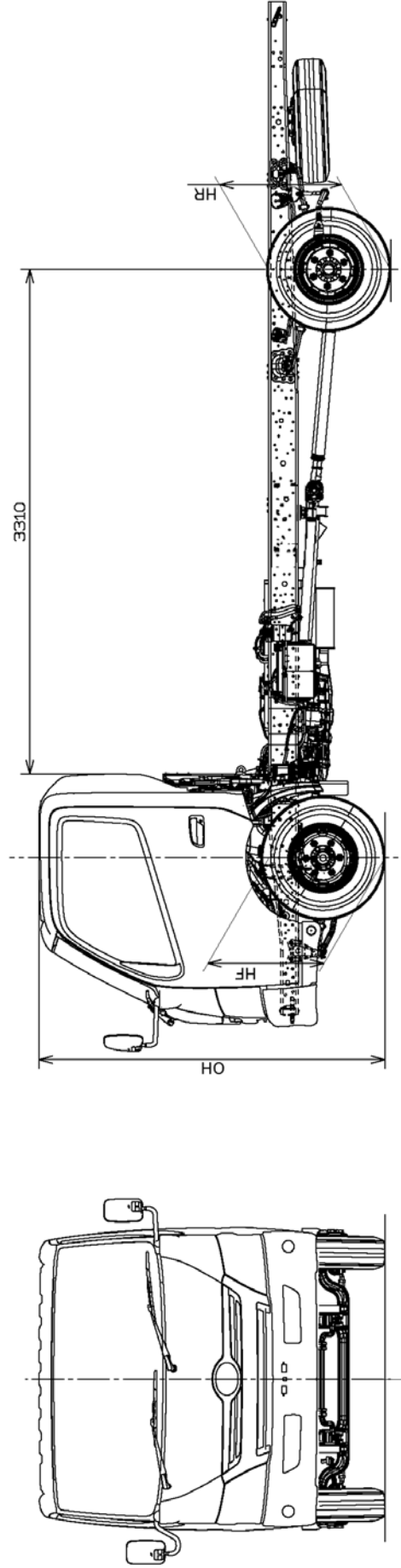
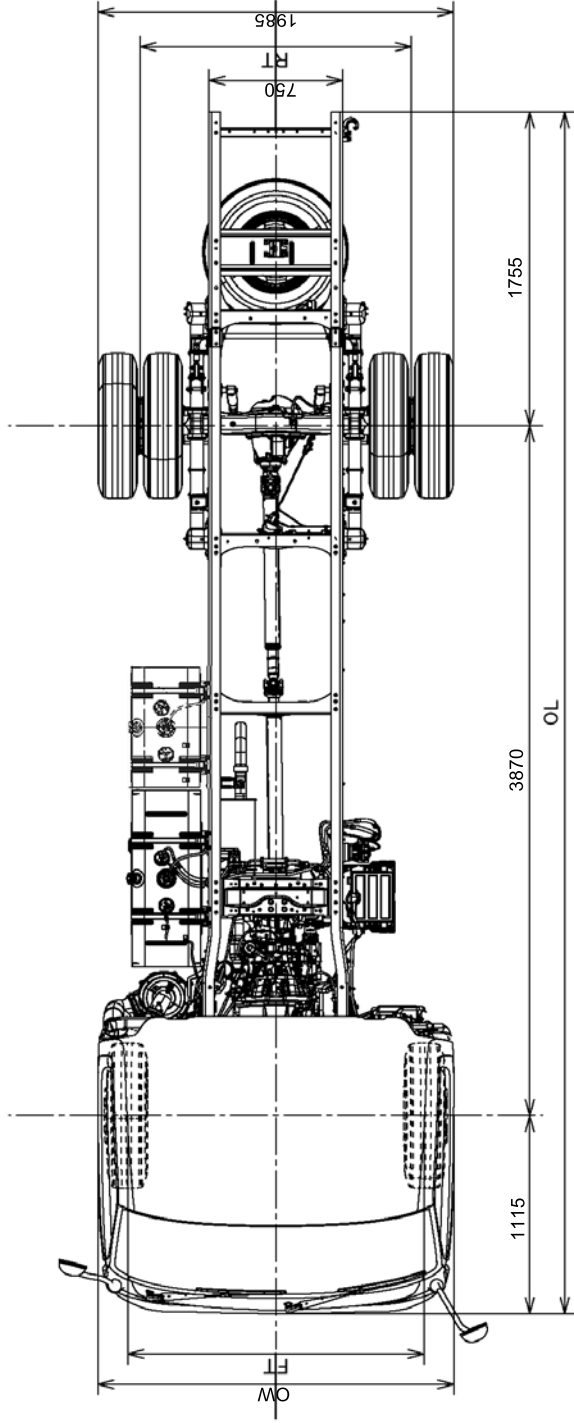
Specifications

SA-WU551A

ENGINE	HINO W04D-TN (Euro-2) Diesel, turbo charged intercooled 4-cy., vertical, 4-cyl. in-line, overhead valve, water-cooled, direct injection type.
Max. output	JIS GROSS ; 96 kW {130 PS} at 2,500 r/min ISO NET ; 86 kW {118 PS} at 2,500 r/min
Max. torque	JIS GROSS ; 363 N·m {37.0 kgf·m} at 1,800 r/min ISO NET ; 353 N·m {36.0 kgf·m} at 1,800 r/min
Max. engine speed	3,300 r/min
CLUTCH	Dry, single plate, with damper springs, automatic gap adjuster and hydraulic control
TRANSMISSION	M550, 5-speed, overdrive, synchromesh 1st – 5th Gear ratio 1st 4.981 : 1 – 5th 0.738 : 1
REAR AXLE	Full-floating, single reduction, single-speed by hypoid gearings Gear ratio 5.833
FRONT AXLE	Reversed Elliot, “I” section beam
SERVICE BRAKE	Vacuum assist, dual circuit / hydraulic system with two leading shoes for front and rear wheels with load sensing proportional valve.
PARKING BRAKE	Internal expanding, acting on transmission output shaft
STEERING	Recirculating ball with hydraulic booster
SUSPENSIONS	Front Semi-elliptic leaf springs with shock absorbers and stabilizer Rear Semi-elliptic main & auxiliary leaf springs with shock absorbers and stabilizer
WHEELS AND TIRES	Wheels 6-stud disc wheel Tires 7.50R16-10 7-number (Including one spare tire)
FUEL TANK	100 + 70L
CHASSIS FRAME	Ladder-shaped, channel section side rails
CAB	Forward control, all steel welded construction
AIR CLEANER	Paper element, stack type air intake
ELECTRICAL EQUIPMENT	Batteries 12 V × 2, series-connection, 60 A·h {216 kC} at 20-hour rate Alternator 24 V – 30 A

TIRE SIZE		OL	OW	OH	FT	RT	HF	HR
FR	RR	(*)						
7.50R16-10	7.50R16-10	6740	1995	2240	1655	1520	725	815

(*) NOTE : Figures marked "*" dimensions are measured in parallel with the surface of the ground.



MODEL: WU720R-HKML3

DRAWING No.: CDRWU405G

REMARKS

- 1) The vehicle mass may be varied with optional equipments & items.
- 2) All Specifications of the products are with normal manufacturing allowance and tolerances.
- 3) Hino Motors,Ltd. reserves the right to alter this specification without notice.
- 4) For every 1,000 meters of altitude the engine performance and grade ability shall be decreased by approx. 10%.

Hino Motors,Ltd.

OVERSEAS PRODUCT DIVISION