



Specifications

Hino Motors, Ltd.
TOKYO, JAPAN

Specifications

TRUCK CHASSIS

MODEL	HINO WU600R-HKMGJ3 (4 X 2, Right-hand drive)
SPEC NO.	SA-WU550A
DRWG NO.	CDRWU403C

DIMENSIONS

Overall length (mm)	APPROX.	4,740
Overall width (mm)	APPROX.	1,860
Overall height (mm)	APPROX.	2,140
Wheelbase (mm)		2,525

MASS

Chassis mass, total (kg)	APPROX.	2,075 *
Chassis mass, front (kg)	APPROX.	1,350
Chassis mass, rear (kg)	APPROX.	725

* : Including spare tire

PERFORMANCE (at G. V. M. Rating)

Max. speed (km/h)	113
Gradeability $\tan \theta$ (%)	60.0

CAPACITY

Unit:kg

	FRONT	REAR
Permissible axle capacity	2,600	4,400
Tire capacity	2,260	4,300
G. V. M. rating	3,500	

Specifications

SA-WU550A

ENGINE

HINO W04D-J (Euro-1)
Diesel, 4-cy., vertical, 4-cyl. in-line, overhead valve,

Max. output JIS GROSS ; 77 kW {105 PS} at 3,200 r/min
 ISO NET ; 73 kW {99 PS} at 3,200 r/min
Max. torque JIS GROSS ; 263 N·m {26.8 kgf·m} at 2,000 r/min
 ISO NET ; 252 N·m {25.7 kgf·m} at 2,000 r/min
Max. engine speed 3,400 r/min

CLUTCH

Dry, single plate, with damper springs, automatic gap adjuster and hydraulic control

TRANSMISSION

M153, 5-speed, overdrive, synchromesh 1st - 5th
Gear ratio 1st 5.339 : 1 - 5th 0.788 : 1

REAR AXLE

Full-floating, single reduction, single-speed by hypoid gears
Gear ratio 5.375 : 1

FRONT AXLE

Reversed Elliot, "I" section beam

SERVICE BRAKE

Vacuum assist, dual circuit / hydraulic system with two leading shoes for front and rear wheels with load sensing proportional valve.

PARKING BRAKE

Internal expanding, acting on transmission output shaft

STEERING

Recirculating ball with hydraulic booster

SUSPENSIONS

Front Semi-elliptic leaf springs with shock absorbers and stabilizer
Rear Semi-elliptic main & auxiliary leaf springs with shock absorbers

WHEELS AND TIRES

Wheels 5-stud disc wheel
Tires 7.00R16-10
 7-number (Including one spare tire)

FUEL TANK

80 L

CHASSIS FRAME

Ladder-shaped, channel section side rails

CAB

Forward control, all steel welded construction

AIR CLEANER

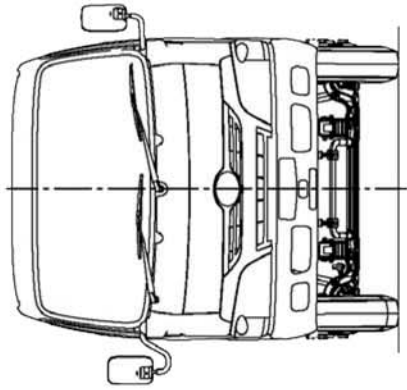
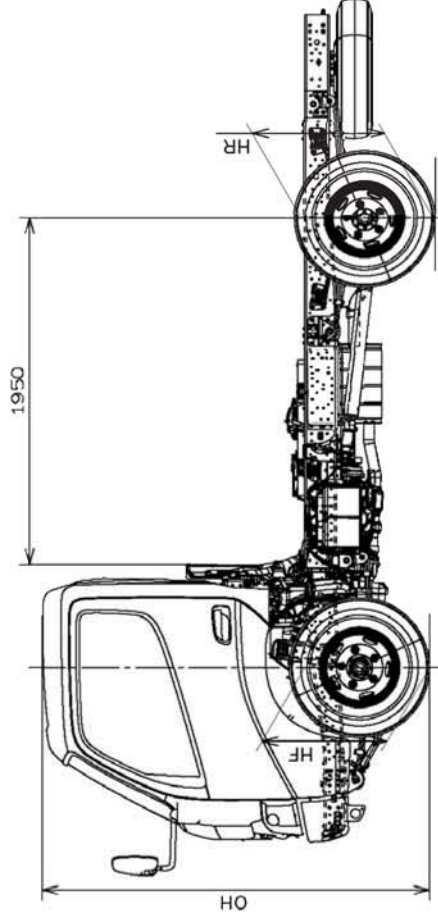
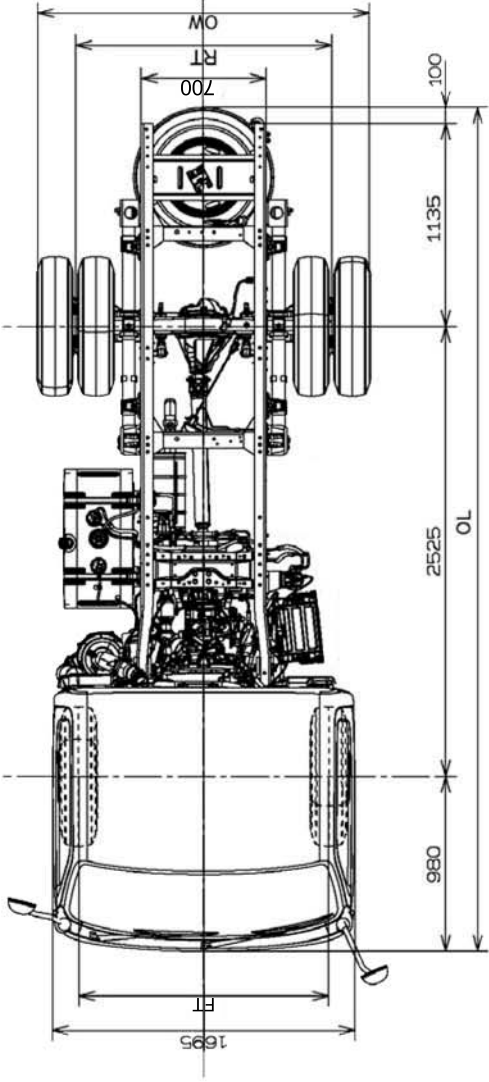
Paper element, stack type air intake

ELECTRICAL EQUIPMENT

Batteries 12 V × 2, series-connection,
 60 A·h {216 kC} at 20-hour rate
Alternator 24 V - 30 A

TIRE SIZE		OL	OW	OH	FT	RT	HF	HR
FR	RR	(*)						
7.00R16-10	7.00R16-10	4740	1860	2140	1400	1435	665	725

(*) NOTE : 1. Figures marked (*) dimensions are measured in parallel with the surface of the ground.
 2. All dimensions are to standard specifications.



REMARKS

- 1) The vehicle mass may be varied with optional equipments & items.
- 2) All Specifications of the products are with normal manufacturing allowance and tolerances.
- 3) Hino Motors,Ltd. reserves the right to alter this specification without notice.
- 4) For every 1,000 meters of altitude the engine performance and grade ability shall be decreased by approx. 10%.

Hino Motors,Ltd.

OVERSEAS PRODUCT DIVISION